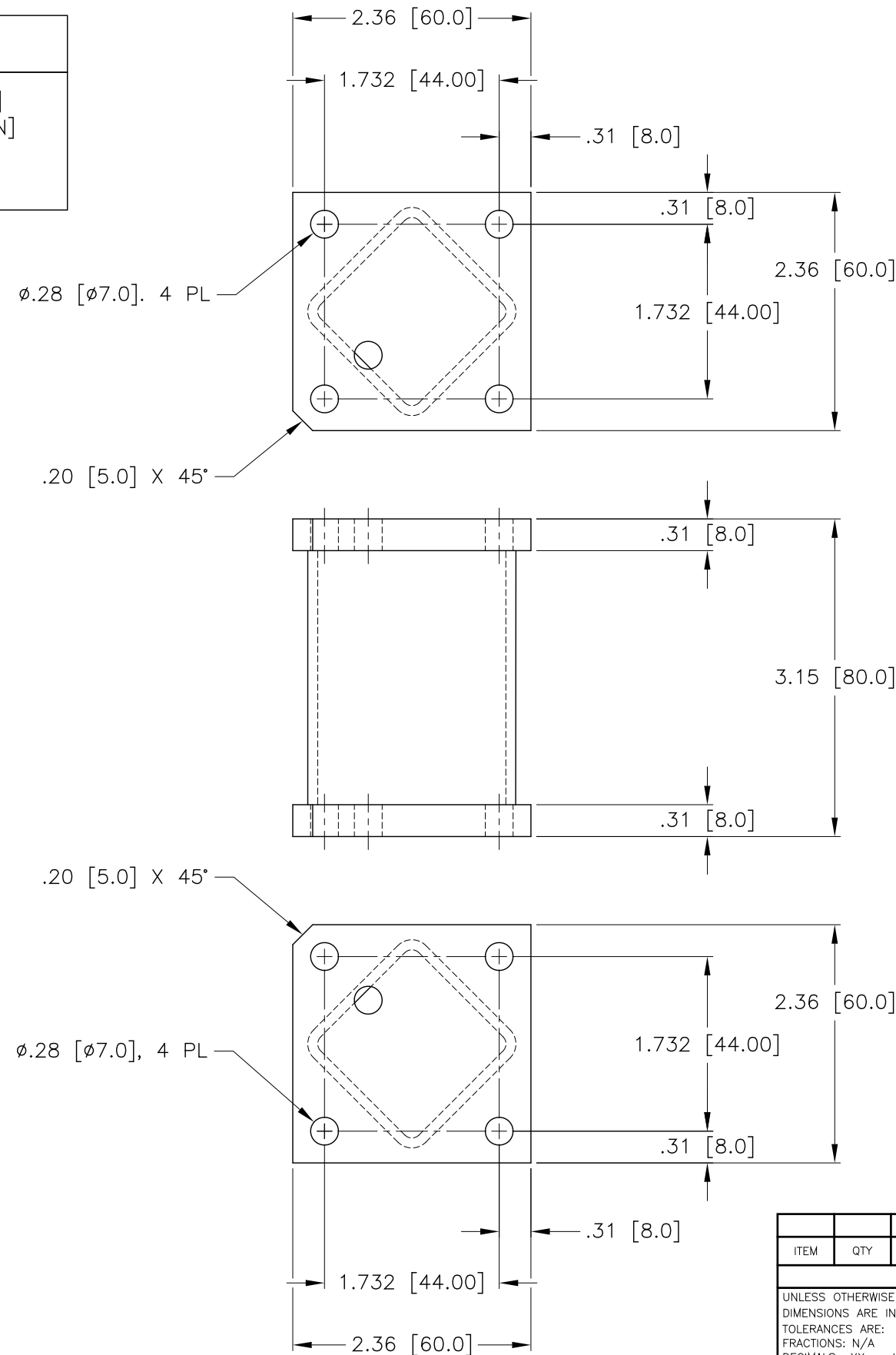


REV.	ECO/DDC	DESCRIPTION	DATE	DRAFT	CHECK	APV'D
A	----	RELEASED.	12-08-14	V.J.C.	N.H.S.	E.J.

MODEL NUMBER WELDING FIXTURE	ASSOCIATED LOAD POINT SERIES	CAPACITY LBS [KN]
HI MWF-LPB-450LB	HI LPB BUMPER/SLIDER/FIXED	44 LB [0.2KN] 110 LB [0.5KN] 225 LB [1KN] 450 LB [2KN]



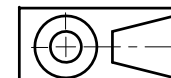
DIMENSIONS - INCHES & [mm]


2. DUMMY LOAD CELL IS CONSTRUCTED FROM ZINC PLATED STEEL.

1. THIS DRAWING IS SUBJECT TO CHANGE WITHOUT NOTICE.

NOTES: UNLESS OTHERWISE SPECIFIED

PROPRIETARY NOTICE
ALL DATA AND INFORMATION CONTAINED IN OR DISCLOSED BY THIS DOCUMENT IS CONFIDENTIAL AND PROPRIETARY INFORMATION OF HARDY PROCESS SOLUTIONS INC. AND ALL RIGHTS THEREIN ARE EXPRESSLY RESERVED. BY ACCEPTING THIS MATERIAL THE RECIPIENT AGREES THAT THIS MATERIAL AND THE INFORMATION CONTAINED THEREIN IS HELD IN CONFIDENCE AND IN TRUST AND SHALL NOT BE USED, COPIED, REPRODUCED IN WHOLE OR IN PART, NOR ITS CONTENTS REVEALED IN ANY MANNER TO OTHERS, EXCEPT TO MEET THE SPECIFIC PURPOSE FOR WHICH IT WAS DELIVERED.



		0588-0172	OUTLINE DRAWING, WELDING FIXTURE, HI MWF-LPB SERIES				
ITEM	QTY	PART NUMBER	DESCRIPTION	COMMENTS			
PARTS LIST							
UNLESS OTHERWISE SPECIFIED DIMENSIONS ARE IN INCH [MM]		CONTRACT NO.		 HARDY PROCESS SOLUTIONS			
TOLERANCES ARE:		APPROVALS					
FRACTIONS: N/A		DRAWN	DATE				
DECIMALS: .XX = ±.03 [.8]		V. CHULA	12-03-14				
.XXX = ±.010 [.25]		CHECKED	DATE	TITLE OUTLINE DRAWING, WELDING FIXTURE, HI MWF-LPB SERIES			
ANGLES: ±0°, 30'		N. SCHERRER	12-05-14				
MATERIAL		APPROVED	DATE				
		E. JAMES	12-08-14				
FINISH		ISSUED	DATE	SIZE	FSCM	DRAWING NO.	REV.
		V. CHULA	12-08-14	D	21316	0588-0172	A
DO NOT SCALE DRAWING		PRODUCTION	DATE	FILE NAME: 588172A1.DWG		SCALE: NONE	SHEET 1 OF 1